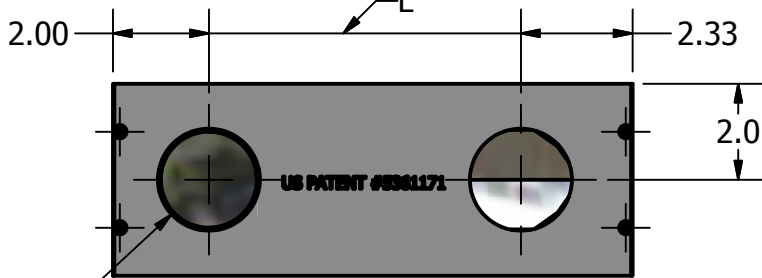
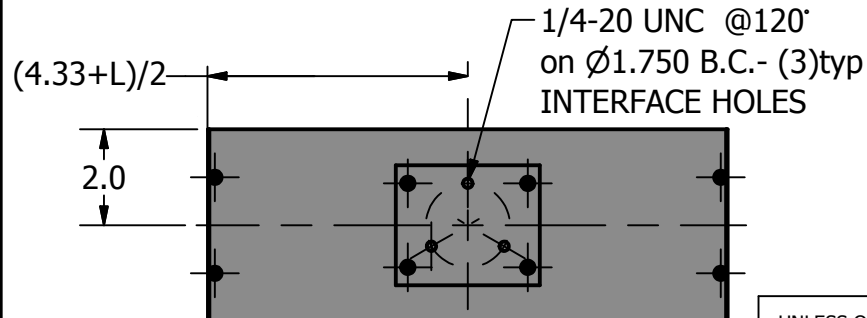
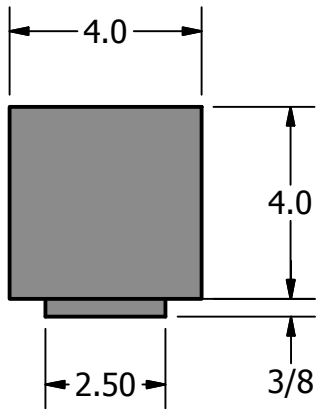
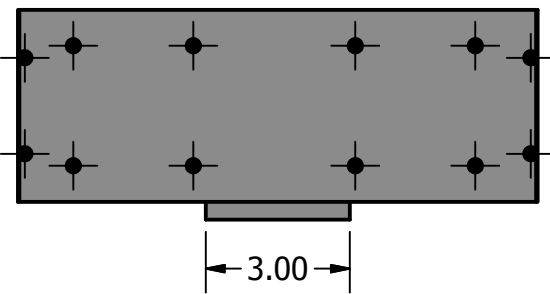


2

1



∅2clr.apert.-typ



**NOTE:**

1. For the 2" clear aperture LTHR the center to center "L" shall be from 4.5" to 26"

UNLESS OTHERWISE SPECIFIED DIMENSIONS ARE IN INCHES TOLERANCES ARE:			
FRACTIONS	DECIMALS	ANGLES	
± 1/16"	± XX .030"	± 1'	
	± XXX .010"		

<b>PLX</b> 40 WEST JEFRYN BLVD. DEER PARK, NY 11729
<b>∅2.0" CLEAR APERTURE          LATERAL TRANSFER RETROREFLECTOR          MAIN ASSEMBLY</b>
<b>L-20</b>

2

1