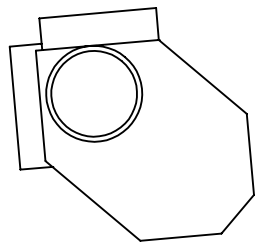
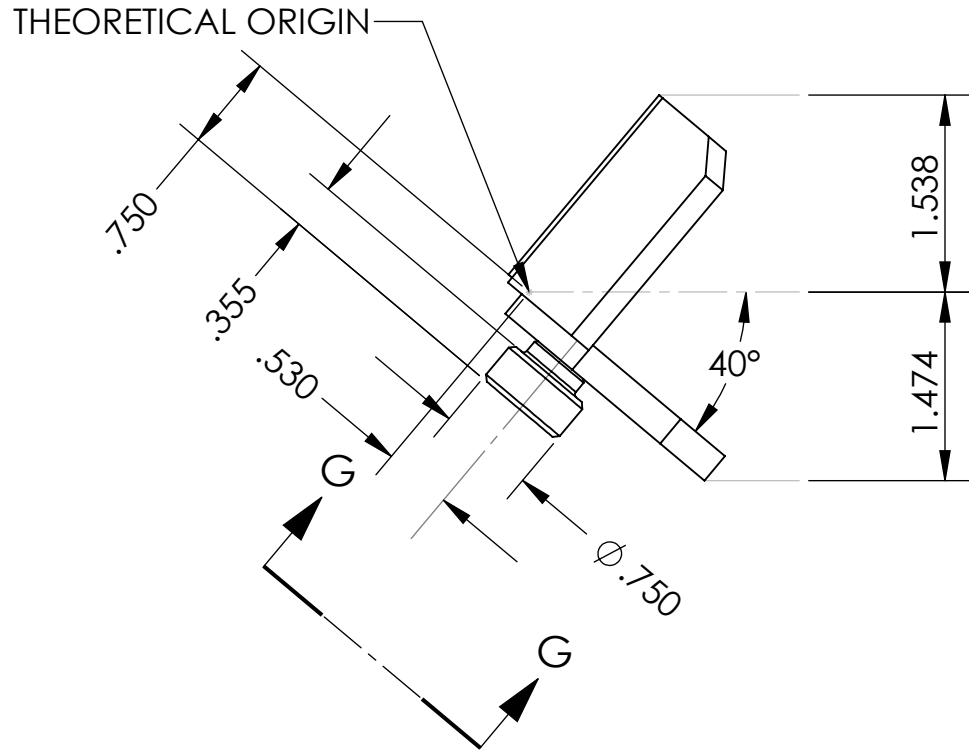
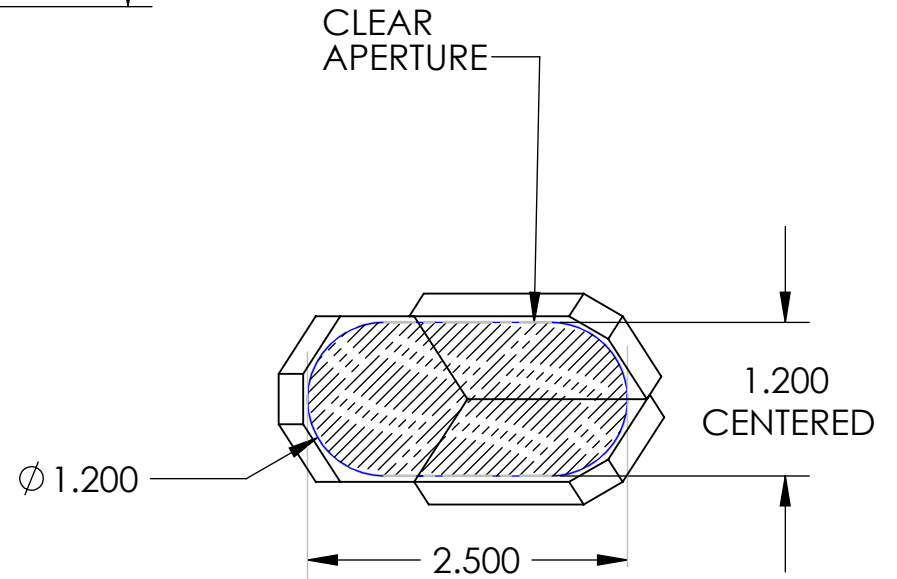
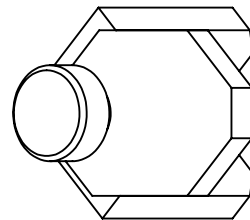


		REVISIONS			
ZONE	REV	DESCRIPTION		DATE	APPROVED
	2	CHG TO INTERFACE DWG, ADD DIM'S		08-15-13	AGJ



VIEW G-G



UNLESS OTHERWISE SPECIFIED:		NAME	DATE	PLX INC.	
DIMENSIONS ARE IN INCHES		DRAWN	JACOBSON		
ANGLES: ± .25°		CHECKED		TITLE: Interface Drawing, Model LPR-10	
X ± .1		ENG APPR.			
XX ± .01		MFG APPR.			
XXX ± .005		Q.A.			
XXXX ± .002		COMMENTS:		SIZE DWG. NO. REV A 106-406 2	
INTERPRET GEOM. TOLERANCING PER ANSI Y14.5-1999		PROJECT:			
MATERIAL				SCALE: 2:3	
FINISH				SHEET 1 OF 1	
DO NOT SCALE DRAWING					

PROPRIETARY INFORMATION NOTICE

THIS DRAWING AND THE ITEMS DEPICTED HEREIN ARE THE PROPERTY OF PLX INC. THEY ARE FURNISHED FOR EVALUATION PURPOSES ONLY AND SHALL NOT BE DISCLOSED OR DUPLICATED OR USED FOR ANY COMMERCIAL PURPOSES WITHOUT THE EXPRESS WRITTEN CONSENT OF PLX INC.