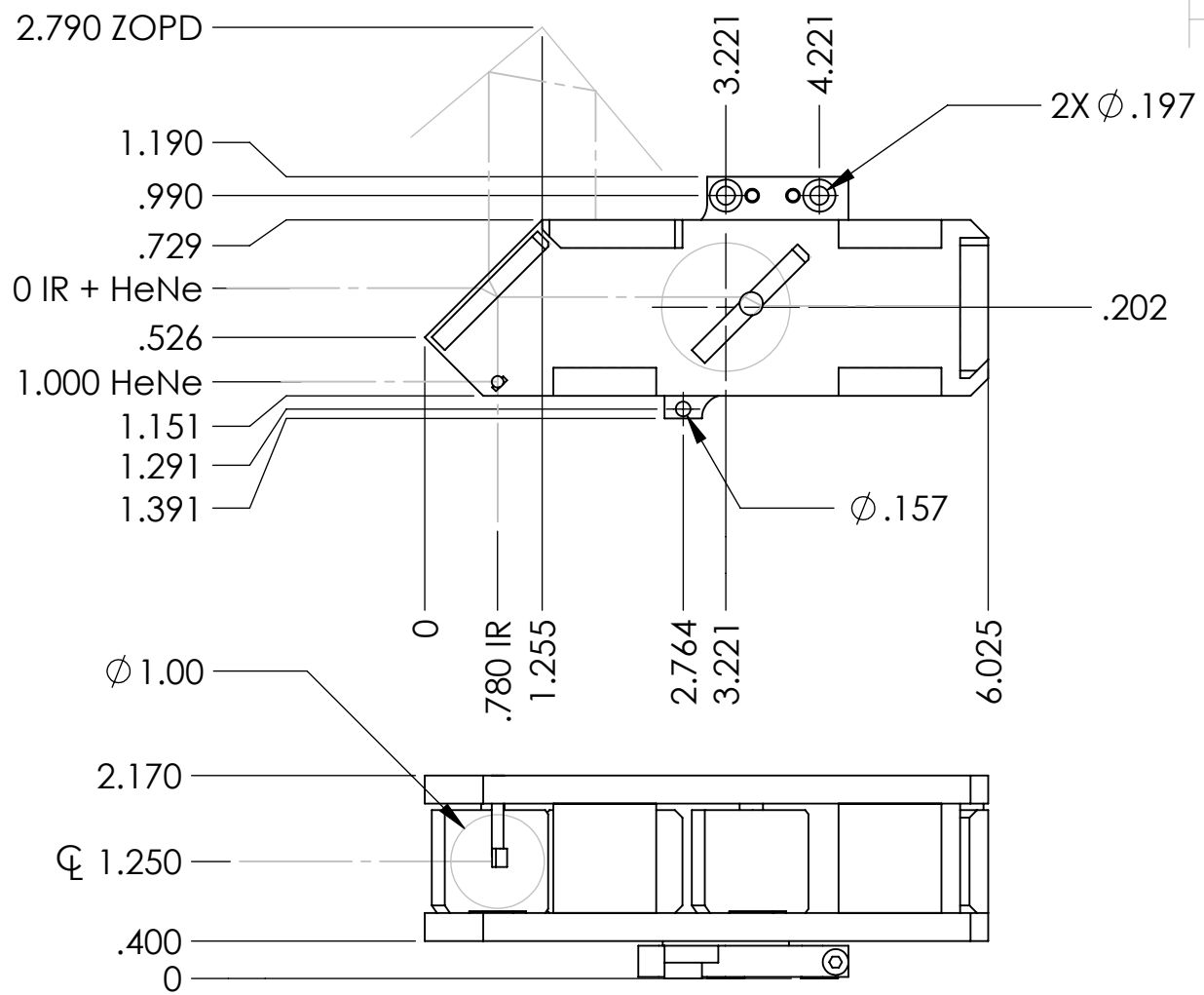


		REVISIONS			
ZONE	REV	DESCRIPTION	DATE	APPROVED	
	3	SHOW INTERFEROMETER W CLAMP	06-04-13	AGJ	



UNLESS OTHERWISE SPECIFIED:
 DIMENSIONS ARE IN INCHES
 ANGLES: \pm .25°
 X \pm .1
 XX \pm .01
 XXX \pm .005
 XXXX \pm .002
 INTERPRET GEOM. TOLERANCING PER ANSI Y14.5-1999
 MATERIAL
 FINISH
 DO NOT SCALE DRAWING

	NAME	DATE
DRAWN	Jacobson	6-20-12
CHECKED		
ENG APPR.		
MFG APPR.		
Q.A.		
COMMENTS:		
PROJECT:		

PLX INC.

TITLE:
Customer Layout, ϕ 1.00in ZnSe Interferometer

SIZE	DWG. NO.	REV
A	106-405	3

SCALE: 1:2 SHEET 1 OF 1

PROPRIETARY INFORMATION NOTICE

THIS DRAWING AND THE ITEMS DEPICTED HEREIN ARE THE PROPERTY OF PLX INC. THEY ARE FURNISHED FOR EVALUATION PURPOSES ONLY AND SHALL NOT BE DISCLOSED OR DUPLICATED OR USED FOR ANY COMMERCIAL PURPOSES WITHOUT THE EXPRESS WRITTEN CONSENT OF PLX INC.